

## SB Shelf Brackets

## General Hardware

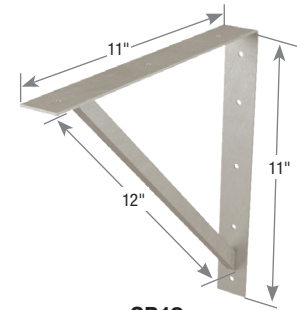
This shelf bracket combines shelving capabilities and closet rod support in a one-piece design.

**Materials:** 13 gauge

**Finish:** Zinc Plated



Typical SB12 installation



SB12

MiTek USP Stock No.	Ref. No.	Steel Gauge	Fastener Schedule <sup>1</sup>		Code Ref.
			Qty	Type	
SB12	SBV	13	8	10d	--

1) **NAILS:** 10d nails are 0.148" dia. x 3" long.

## KSCT Corner Tie

The Corner Tie secures three-way wood-to-wood connections. Handy for building workbenches, utility tables, or shelving using 2x4 lumber.

**Materials:** 14 gauge

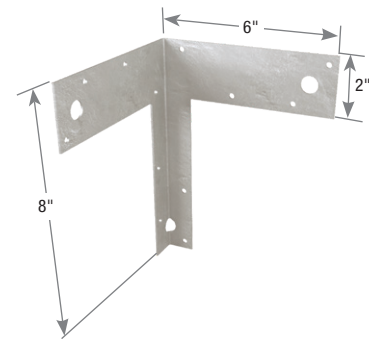
**Finish:** G90 galvanizing

**Installation:**

- Use (12) #10 panhead screws to fasten the KSCT68 to wood framing.



Typical KSCT68 installation



KSCT68

MiTek USP Stock No.	Ref. No.	Steel Gauge	Fastener Schedule		Code Ref.
			Qty	Screws	
KSCT68	--	14	12	#10 panhead	--

## WT Wall Tie

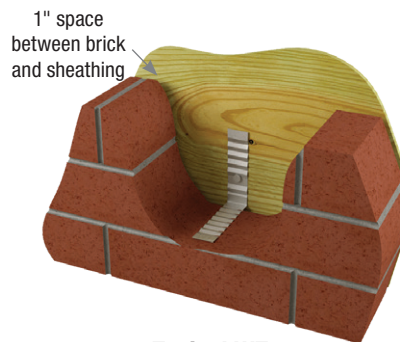
**Materials:** 22 gauge

**Finish:** G90 galvanizing

**Options:** See chart for Corrosion Finish Options

**Installation:**

- Use nails appropriate for intended use. See Product Notes, page 18.
- The opposite end must be bonded in the mortar joint of brick facade.
- Check local codes for spacing requirements.
- Wall tie shall be bent at nail, bonding into mortar joint.



Typical WT22 installation



WT22

MiTek USP Stock No.	Ref. No.	Description	Steel Gauge	Dimensions (in)		Fastener Schedule <sup>1</sup>		Corrosion Finish	Code Ref.
				W	L	Qty	Type		
WT22	BTB	Straight Edge - Duplex	22	7/8	6-1/2	1	10d		--

1) **NAILS:** 10d nails are 0.148" dia. x 3" long.

**Corrosion Finish** ■ Stainless Steel ■ Gold Coat ■ HDG ■ Triple Zinc